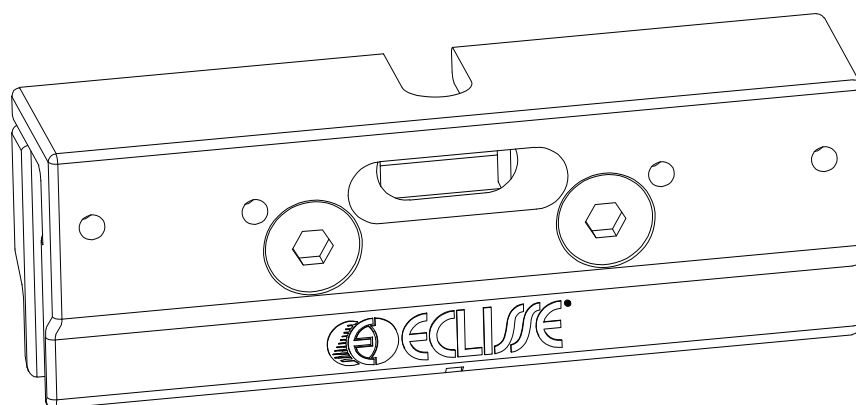
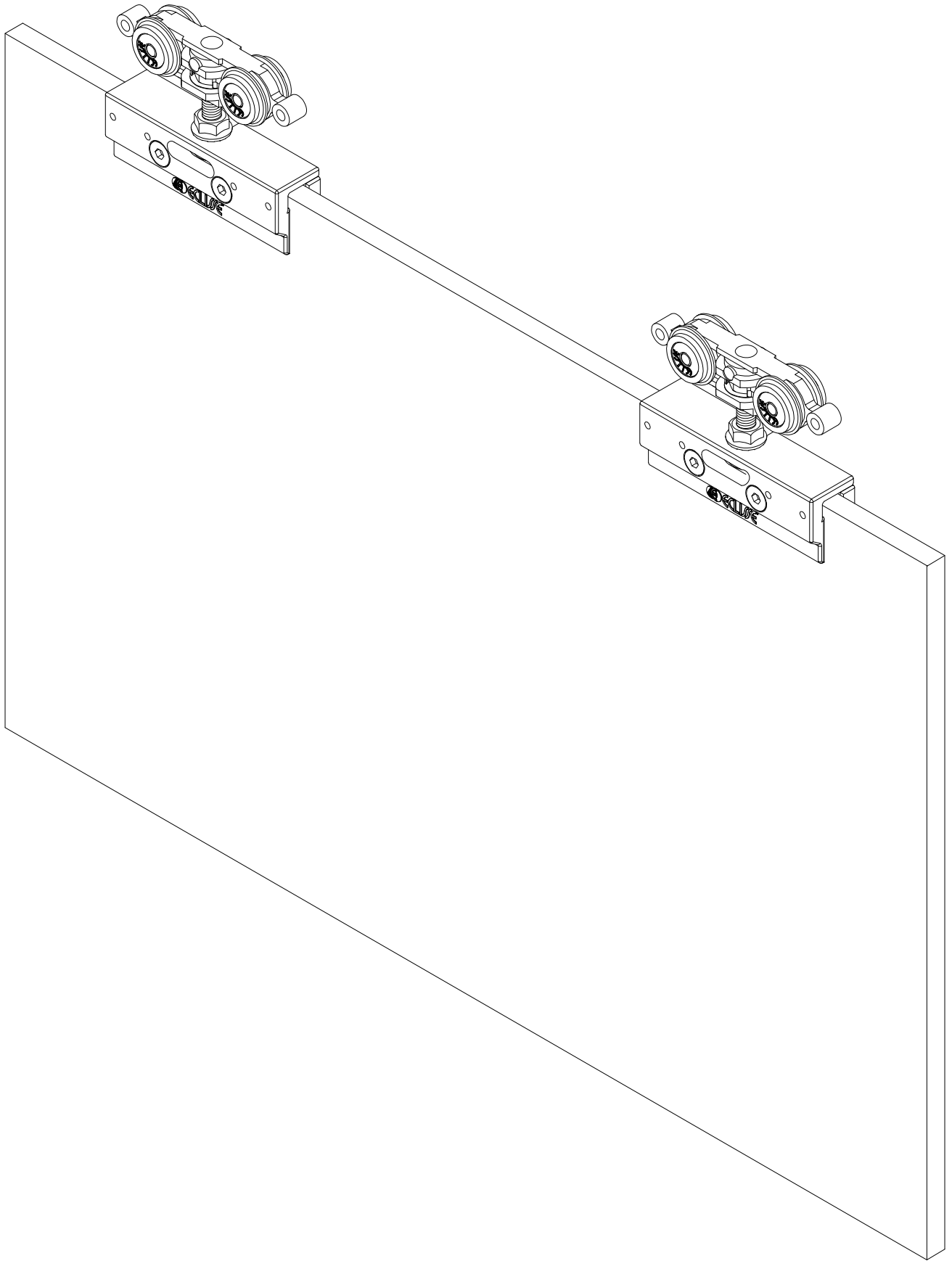
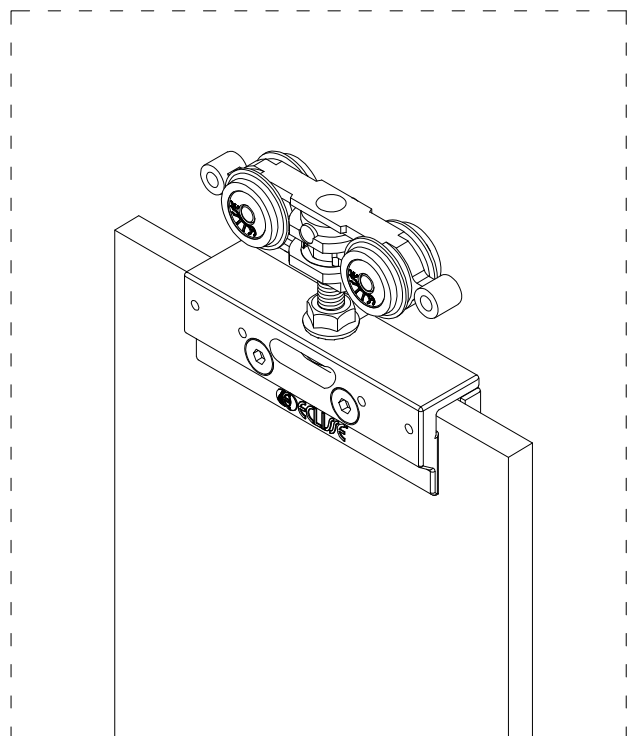
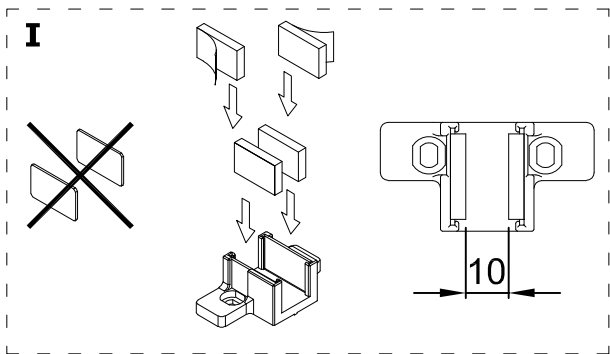
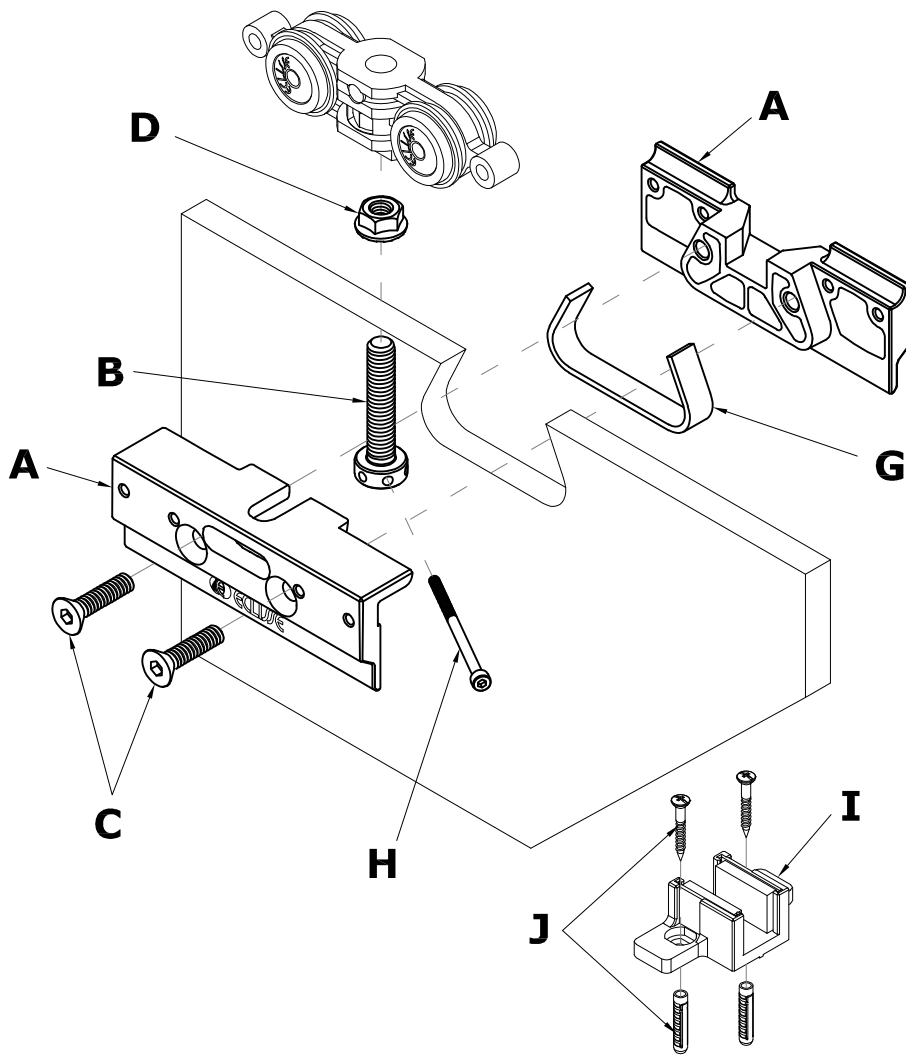


- | | | | |
|-----------|--|-----------|--|
| IT | STAFFE ECLISSE PER ANTE TUTTO VETRO | DE | ECLISSE EINSETZBESCHLAG FÜR GANZGLASTÜR |
| GB | BRACKETS FOR ALL-GLASS SLIDING DOOR | PL | UCHWYTY FREZOWANE ECLISSE DO TAFLI SZKLANEJ |
| PT | PINÇA OU BRAÇADEIRA ECLISSE PARA PORTAS DE CORRER EM VIDRO | RU | СКОБЫ ECLISSE ДЛЯ СТЕКЛЯННЫХ ПОЛОТЕН |
| CZ | ECLISSE DRŽÁK VÝŘEZ PRO CELOSKLENĚNÉ DVEŘE | RO | CLEME PENTRU CANATURI DIN STICLĂ |
| SK | SVORKY ECLISSE NA UCHYTENIE CELOSKLENENÝCH POSUVNÝCH DVERÍ VYŽADUJÚCE OTVOR V SKLE | SI | STREME ZA DRŠNA STEKLENA VRATA |
| ES | MORDAZAS PARA PUERTAS CORREDERAS TODO CRISTAL | HU | ECLISSE ÜVEGSZORÍTÓ SZETT TELJES ÜVEGAJTÓHOZ |
| NL | KLEMMEN VOOR HARDGLAZEN SCHUIFDEUREN | HR | DRŽAČ KLIZNIH STAKLENIH VRATA |
| FR | ETRIERS POUR VANTAUX COULISSANTS TOUT VERRE | FI | LASIKIINNIKKEET LASILIUKUOVILLE |
| | | TR | ECLISSE CAM PANEL BRAKET SISTEMI |

**10 mm**



www.eclisseworld.com

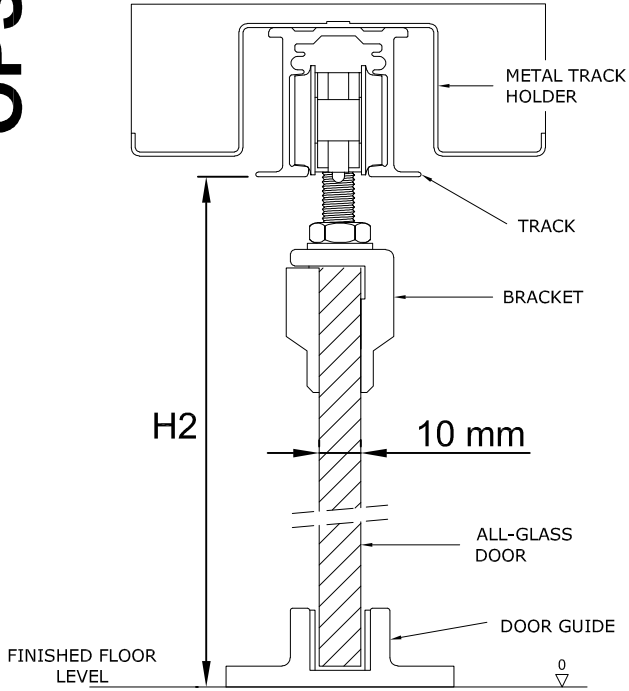


BRACKETS FOR ALL-GLASS SLIDING DOORS

Eclisse **SINGLE/DOUBLE**

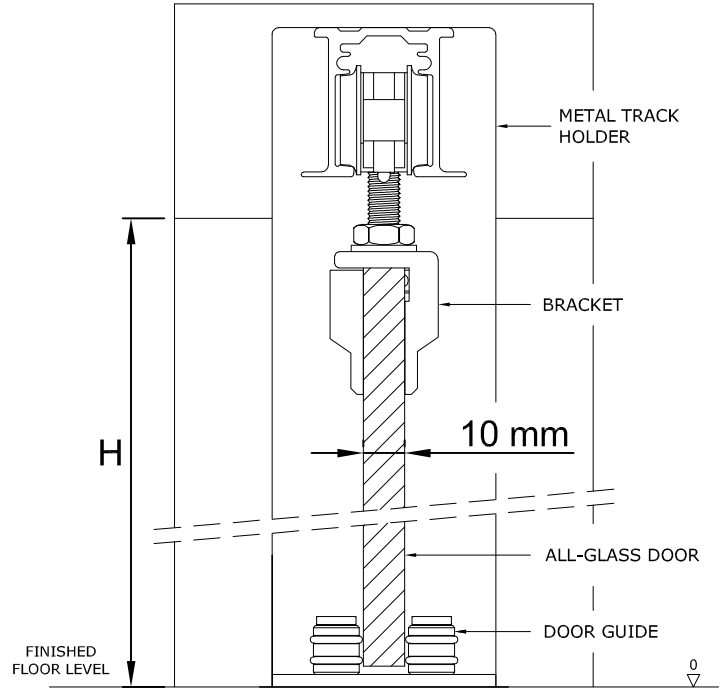
Eclisse **SYNTHESIS® LINE**

HOW TO DETERMINE THE HEIGHT OF AN ALL-GLASS DOOR



GLASS HEIGHT = H2 - 25 mm

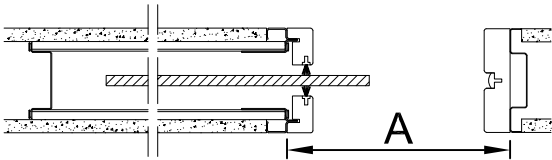
"H2" is the distance between the finished floor surface and the aluminium track. We recommend measuring the height at different points of the span.



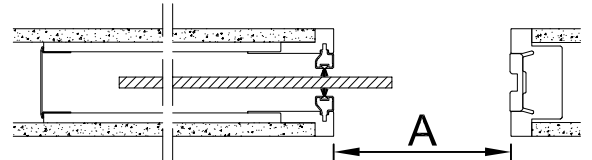
GLASS HEIGHT = H - 20 mm

"H" is the distance between the finished floor surface and the wall opening. We recommend measuring the height at different points of the span.

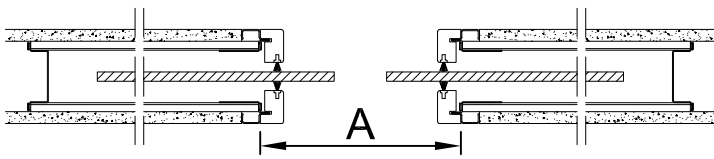
HOW TO DETERMINE THE WIDTH OF AN ALL-GLASS DOOR



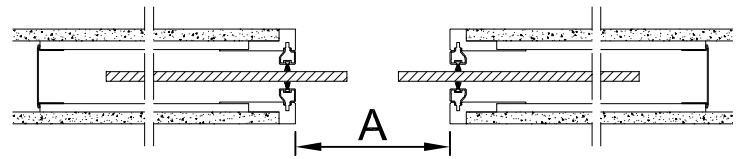
SINGLE DOOR = A - 15 mm



SINGLE DOOR = A + 35 mm

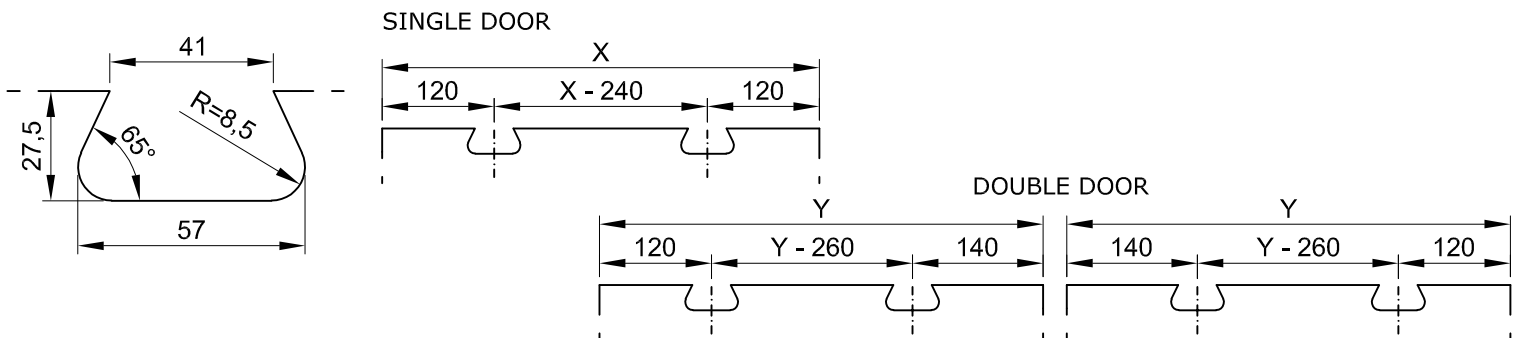


DOUBLE DOOR = A / 2 + 10 mm



DOUBLE DOOR = A / 2 + 35 mm

CUT-OUT MEASURES FOR THE UPPER PART OF ALL-GLASS DOORS (THICKNESS 10 mm)



THE PACK CONTAINS:

GB

- A** - 1 PAIR OF BRACKETS (4 PCS),
- B** - 2 CAPSTAN BOLT M8,
- C** - 4 TPSEI SCREWS M6,
- D** - 2 SHORT NUTS M8,

- G** - 2 BONDED LEATHER GASKET,
- H** - 1 ADJUSTING PIN,
- I** - 1 DOOR GUIDE,
- J** - 2 SCREWS AND RAWLPLUGS,

ECLISSE GLASS DOOR BRACKETS AND ACCESSORIES - SAFETY INFORMATION

The following information should be kept with the instructions for installation and use, in order to prevent product damage, property damage or personal injury.

Important: Users should be made aware of the following important points

General

1. Eclisse srl recommends the use of safety sodo-calcic silicate tempered glass (UNI EN 12150-1).
2. Eclisse glass accessories are not suitable for rooms in which chemical substances (eg., chlorides, salts) are employed, such as swimming pools and saunas.
3. Sliding doors should be opened and closed at a moderate speed and stopped manually as they reach the door post/opening stop.

Installing

1. Installation should be made by professional staff experienced in the use of glass.
2. The glass should be in perfect condition with no chipping or abrasions.
3. Wear suitable protective clothing (in particular gloves and protective glasses) during the assembly as there is a risk of crushing and/or injury should the glass break.
4. When installing the glass great care and attention should be given to ensure the edges do not come into contact with hard surfaces which would create a risk of chipping or other damage. We will not be responsible for any chips, damage or complete shattering of the door during installation as we have no control over this.
5. Attach the brackets using a torque of between 6 and 8 N. Excessive tightening could cause damage to the glass.
6. **Important:** Always ensure the installation is done to ensure maintenance and/or adjustments are possible.
7. After installation check and if necessary adjust the front and rear stops in the track to ensure there are no safety issues.

Maintenance

Regular monitoring by appropriately experienced persons is required, in particular the door position, the smooth running and to check for any damage to the glass. All damaged glass should be replaced immediately.

Clean the glass using warm water and a lint free cloth. More stubborn marks such as grease etc. can be removed using a cleaning alcohol finishing with warm water.

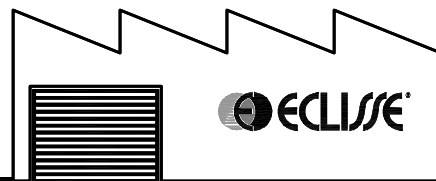
Please note that these brackets have been developed for 10 mm thick tempered security glass door panels.

MAXIMUM LOAD CAPACITY 100 KG

ECLISSE BRACKETS AND ACCESSORIES ARE MADE FOR USE ONLY WITH ECLISSE SYSTEMS. IF THEY ARE USED WITH OTHER SYSTEMS ECLISSE DO NOT ACCEPT ANY RESPONSIBILITY WHATSOEVER.



WARNING:
FOR A PROPER AND SAFE
FUNCTIONING, PLEASE
REPOSITION THE DOOR STOPS
IF NECESSARY.



www.eclisseworld.com/en/dealer-locator

