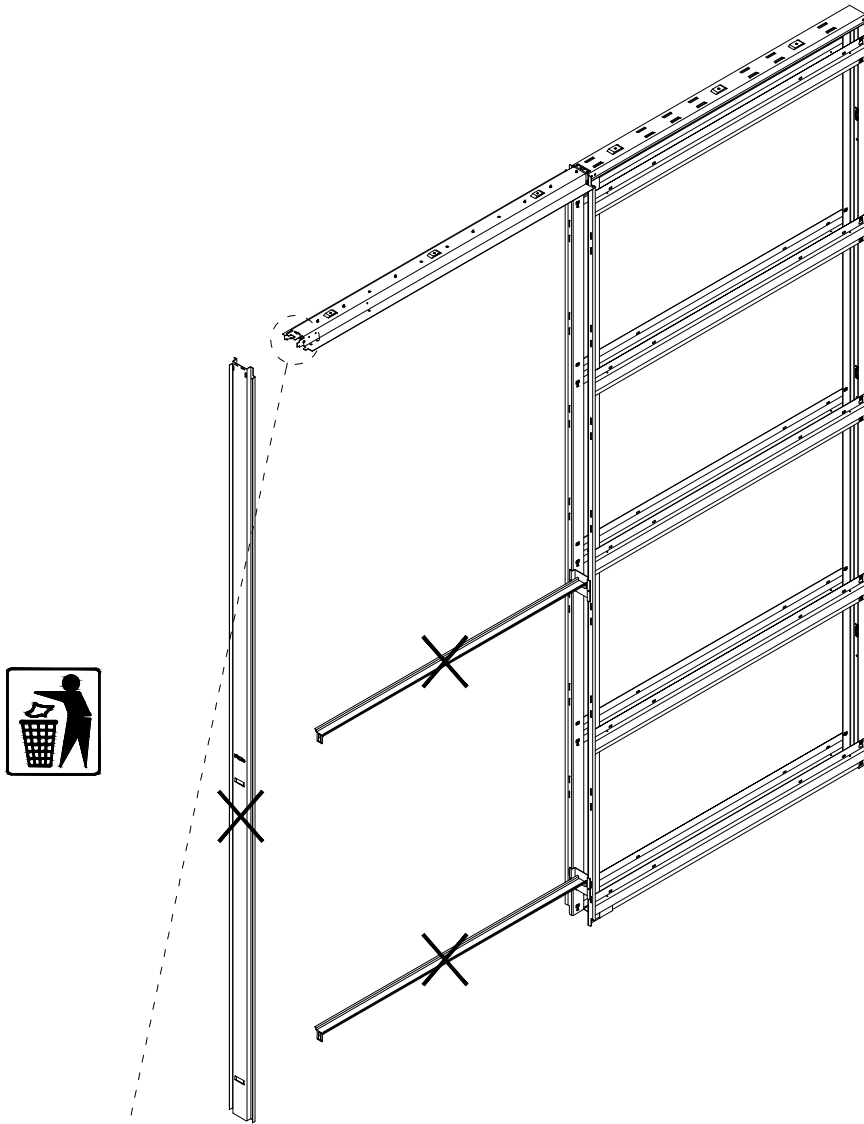
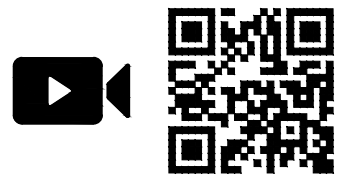


ASSEMBLY DIAGRAM FOR DOUBLE DOOR

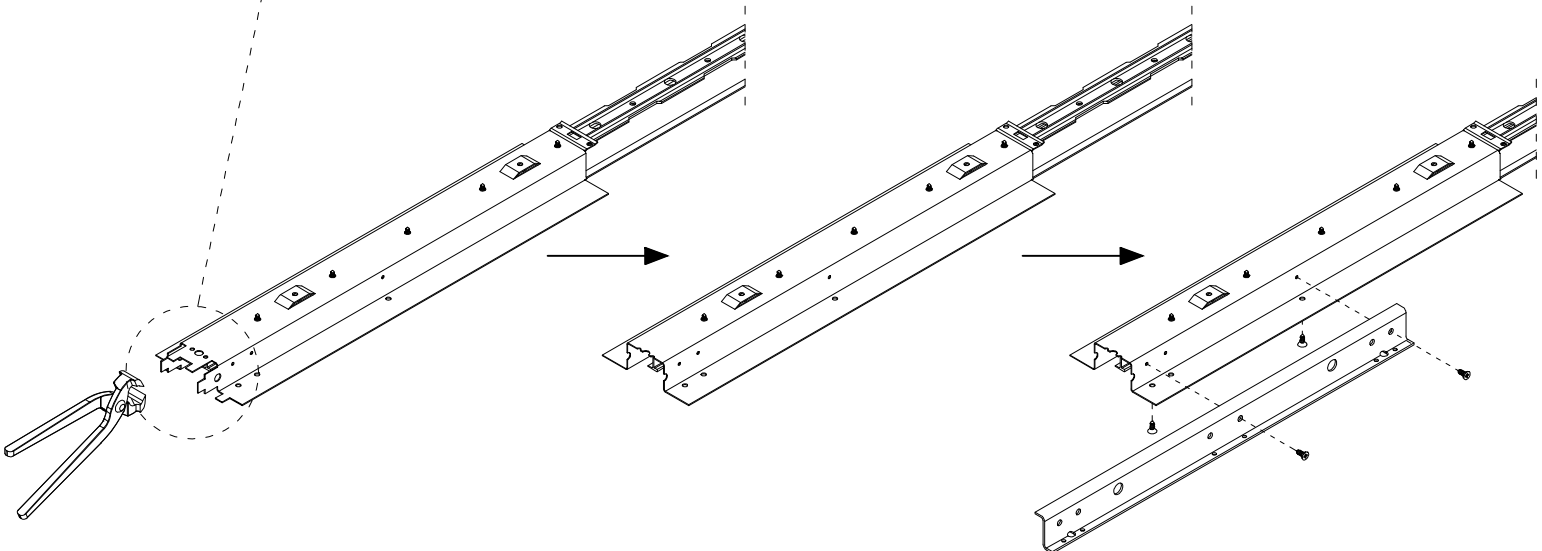
1 When creating a Double Pocket Door, these parts will need to be discarded.



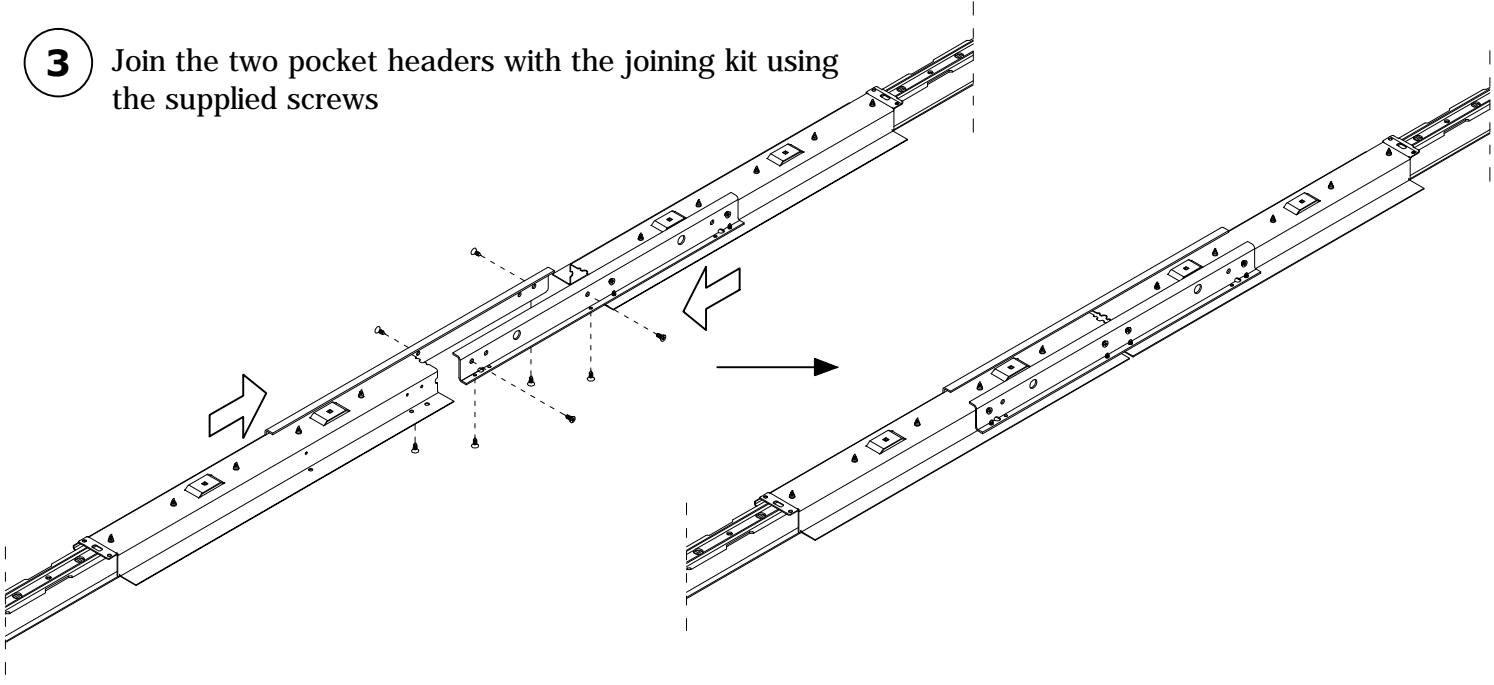
OPC7



2 Remove the bendable tabs on each side of the Single pocket frame to make a double as shown in the diagram using the supplied screws.
X 2



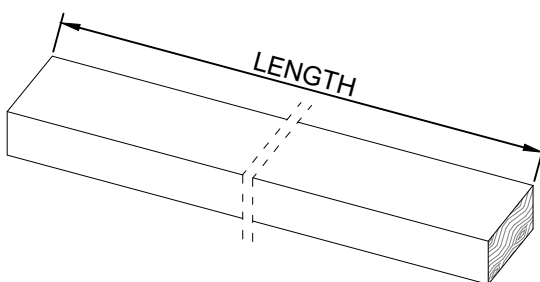
3 Join the two pocket headers with the joining kit using the supplied screws



4 It is suggested to make sure the frames are square when installing, and that a straight spacer (either wood or a level, if long enough) is used to accomplish this, as per Diagram 5
X 2

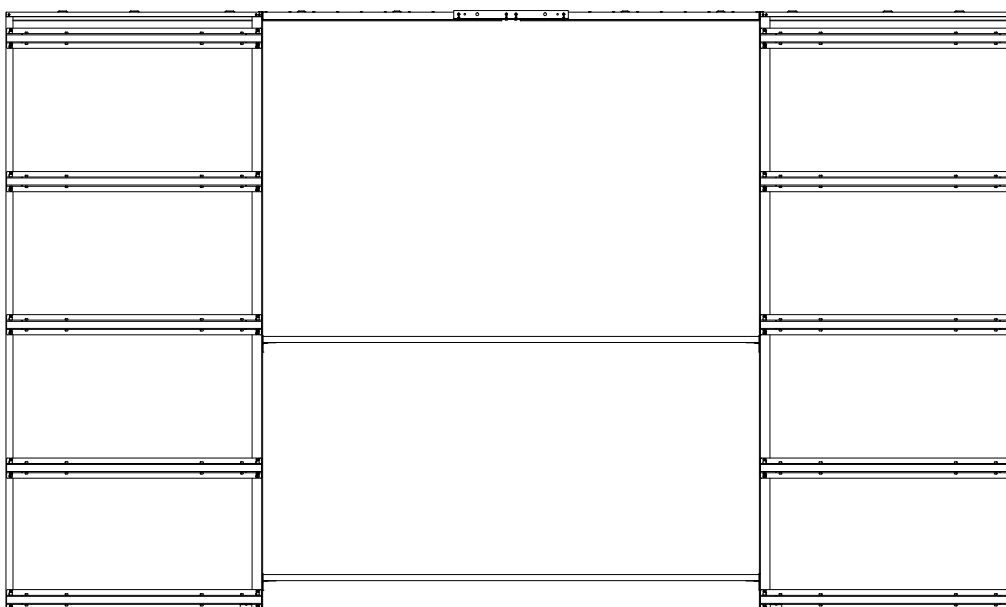


(EN) NOT SUPPLIED
(ES) PIEZA NO SUMINISTRADA



DW FRAME REFERENCE	SUGGESTED SPACER LENGTH
24" + 24"	50 1/4"
26" + 26"	54 1/8"
28" + 28"	58 1/8"
30" + 30"	62 1/8"
32" + 32"	66 3/8"
34" + 34"	70 3/8"
36" + 36"	74 1/2"
42" + 42"	84 3/8"
48" + 48"	96 3/4"
60" + 60"	120 3/8"
66" + 66"	132 5/8"
72" + 72"	144 5/8"

5



www.eclisse.us

