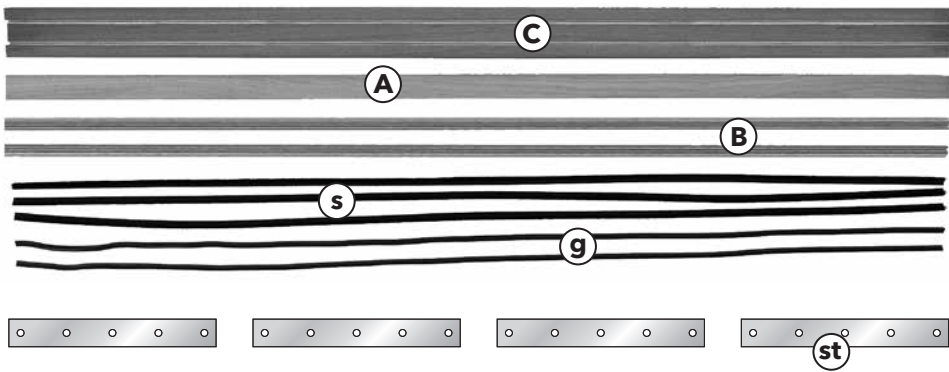


## JAMB KIT INSTALLATION - SINGLE DOOR

### KIT CONTENTS

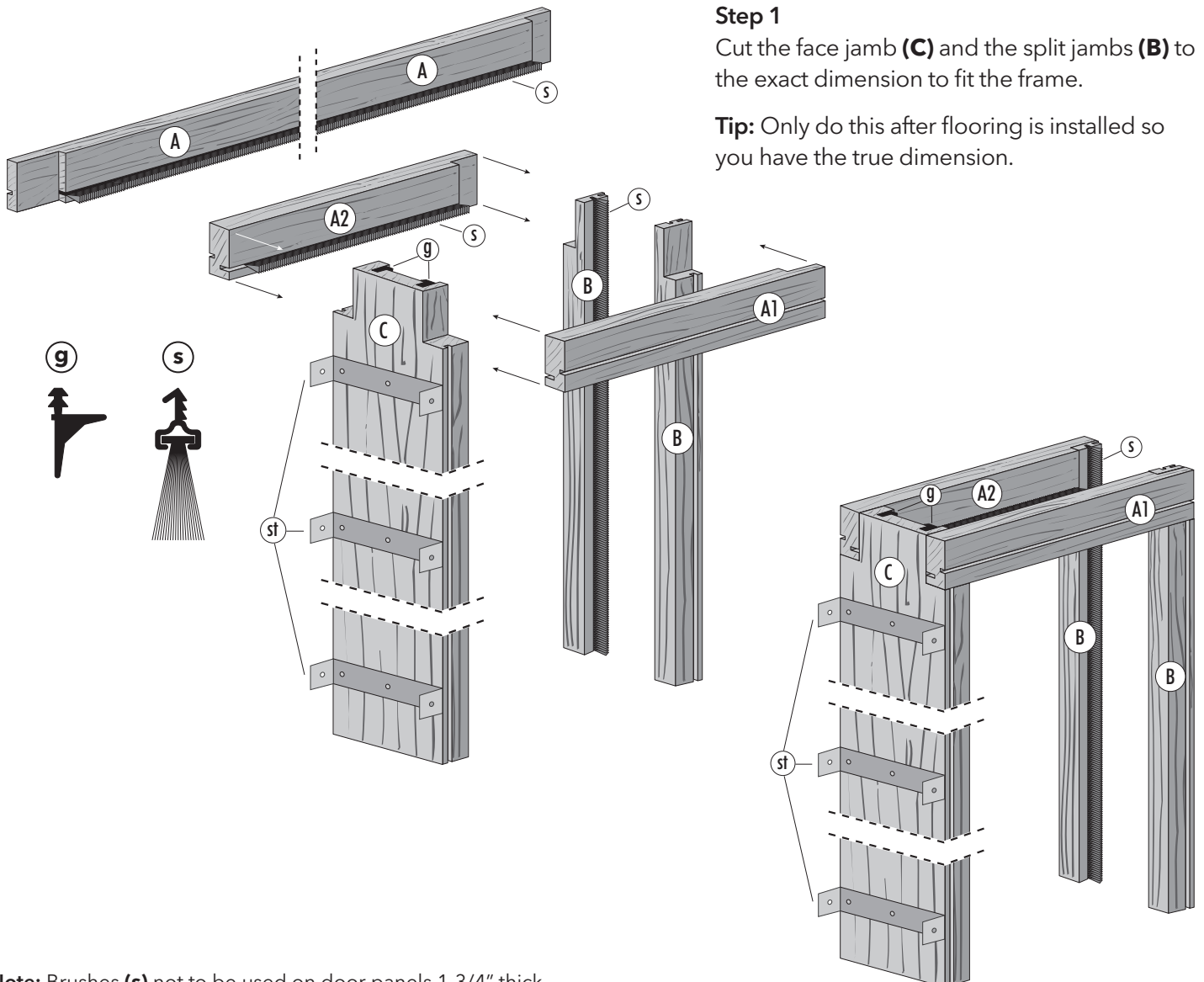


- (A)** Jamb Header
- (B)** Split Jambs (2 pcs)
- (C)** Face Jamb
- (g)** Rubber gaskets (2 pcs)
- (s)** Brushes (3 pcs)
- (st)** Metal brackets (4 pcs)

#### Step 1

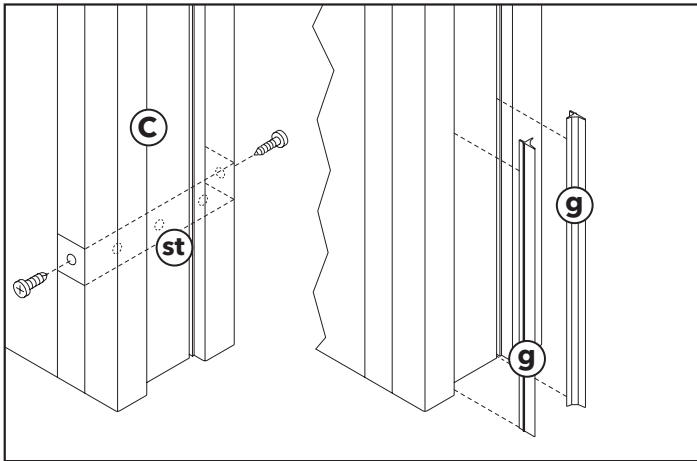
Cut the face jamb **(C)** and the split jambs **(B)** to the exact dimension to fit the frame.

**Tip:** Only do this after flooring is installed so you have the true dimension.



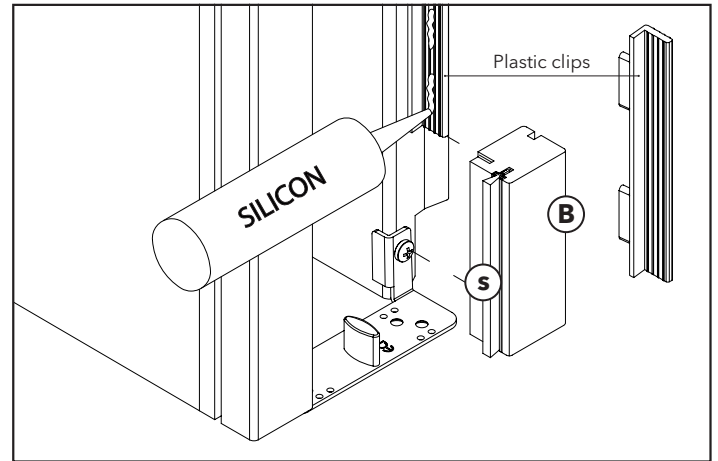
**Note:** Brushes **(s)** not to be used on door panels 1-3/4" thick

## JAMB KIT INSTALLATION - SINGLE DOOR



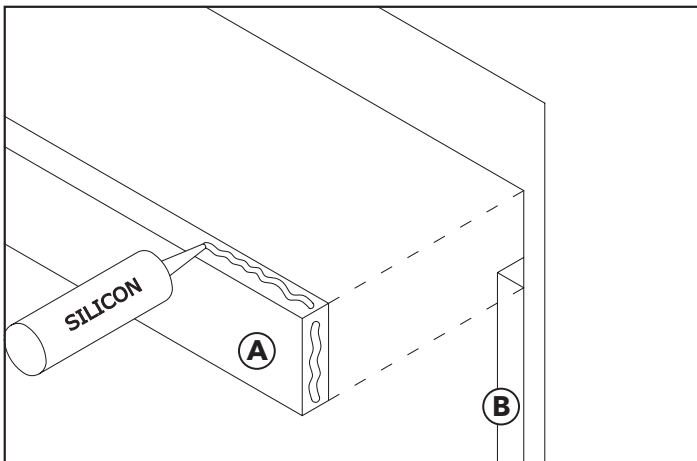
### Step 1

Place the wooden face jamb **(C)** into position and drill 4 pairs of holes equidistant along its length through the recess for the rubber gaskets **(g)** and through the metal door post. Countersink these holes and screw the wooden door post into place. Detach the rubber gaskets and insert each length into the recesses.



### Step 2

Attach the cut split jambs **(B)** to the plastic clips (included with the frame kit) using a few beads of silicon.



### Step 3

Cut the jamb header **(A)** in half and each piece need to be trimmed to size to fix securely into place on top of split jambs **(B)** and face jambs **(C)**.

**Note:** Header should only be cut once you have the exact dimension of the face and split jamb



EURO ARCHITECTURAL, LLC  
700 West 190TH ST. GARDENA, CA 90248  
info@euro-arch.com - www.eclisse.us  
Toll Free: 1 800 614 1474

03/2020 © ECLISSE, all rights reserved.-The use, filing and total or partial reproduction, using any mechanical or electronic means, of texts, drawings and pictures contained in this publication is strictly prohibited, unless specifically approved in writing by ECLISSE.  
603044100