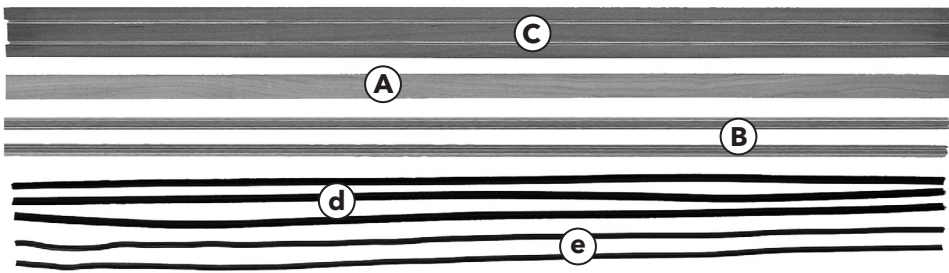


JAMB KIT INSTALLATION - SINGLE DOOR

KIT CONTENTS



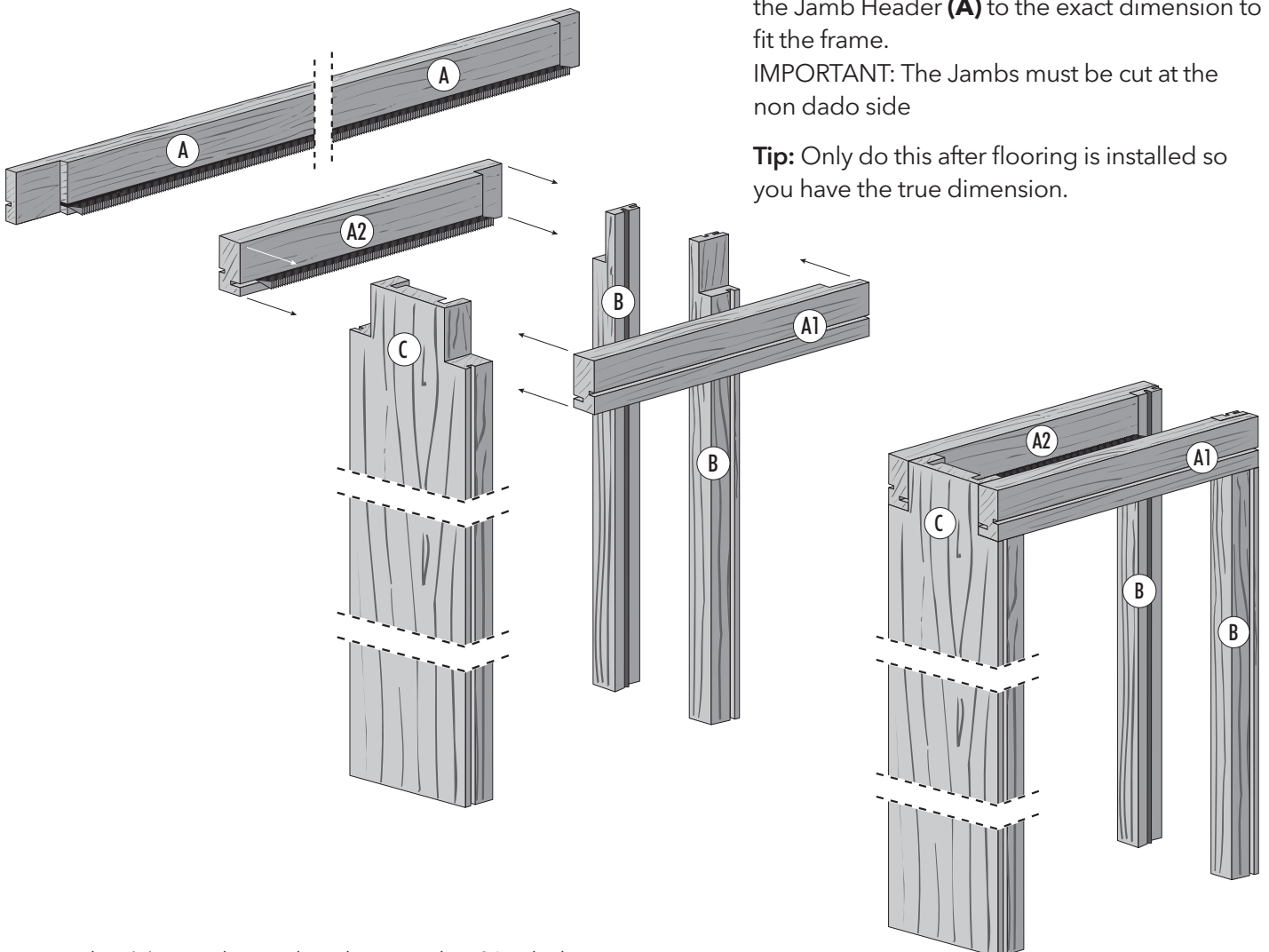
- (A)** Jamb Header
- (B)** Split Jambs (2 pcs)
- (C)** Face Jamb
- (e)** Rubber gaskets (2 pcs)
- (d)** Brushes (3 pcs)

Step 1

Cut the face jamb **(C)**, the split jambs **(B)** and the Jamb Header **(A)** to the exact dimension to fit the frame.

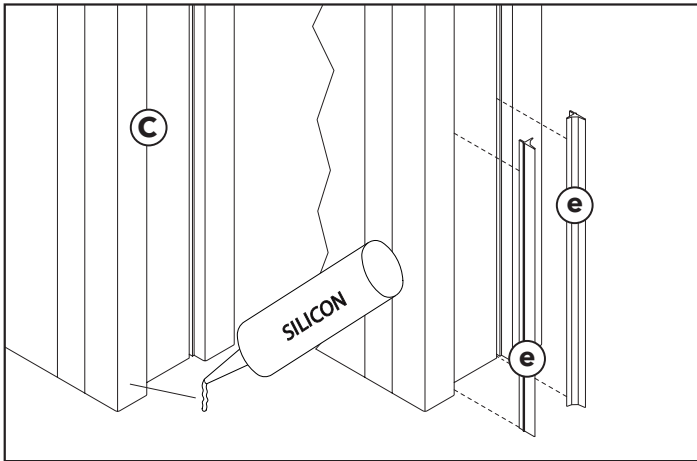
IMPORTANT: The Jambs must be cut at the non dado side

Tip: Only do this after flooring is installed so you have the true dimension.



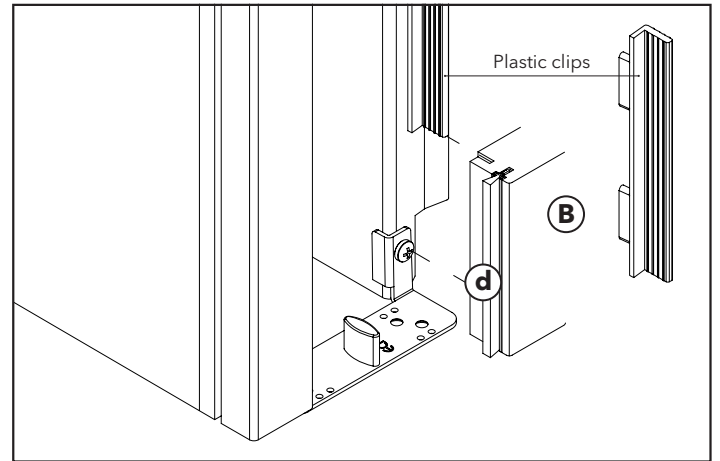
Note: Brushes **(s)** not to be used on door panels 1-3/4" thick

JAMB KIT INSTALLATION - SINGLE DOOR



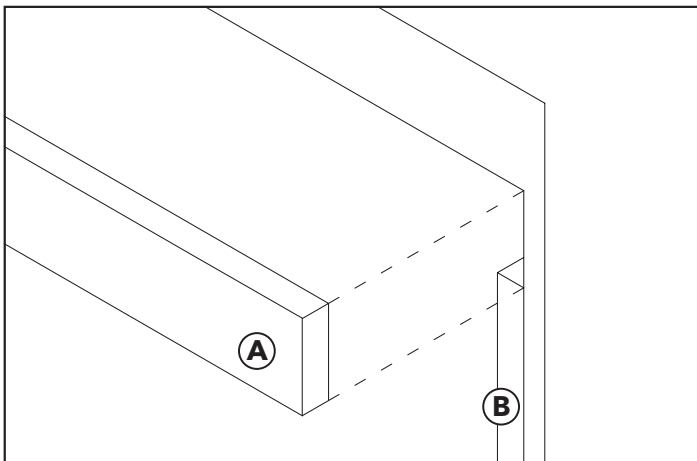
Step 1

Place the wooden face jamb **(C)** into position and attach it to the system using silicon.
Insert the rubber gaskets **(e)** only when the jambs are painted or stain.



Step 2

Place the split jambs **(B)** into position and attach them to the system by compression using the plastic clips supplied into the frame kit box.
Insert the brushes **(d)** only when the jambs are painted or stain and only if using a 1-3/8" door



Step 3

Place the jamb header **(A)** into position and attach them to the system.
Insert the brushes **(d)** only when the jambs are painted or stain and only if using a 1-3/8" door.

Note:

- With jambs installed casing can now be added.
- Header should only be cut once you have the exact dimension of the face and split jamb.



ECLISSE NORTH AMERICA, LLC
700 West 190TH ST. GARDENA, CA 90248
info@eclissena.com - www.eclisse.us
Toll Free: 1 800 614 1474

©2023 ECLISSE, all rights reserved.-The use, filing and total or partial reproduction, using any mechanical or electronic means, of texts, drawings and pictures contained in this publication is strictly prohibited, unless specifically approved in writing by ECLISSE.
11/2023 - 603044101