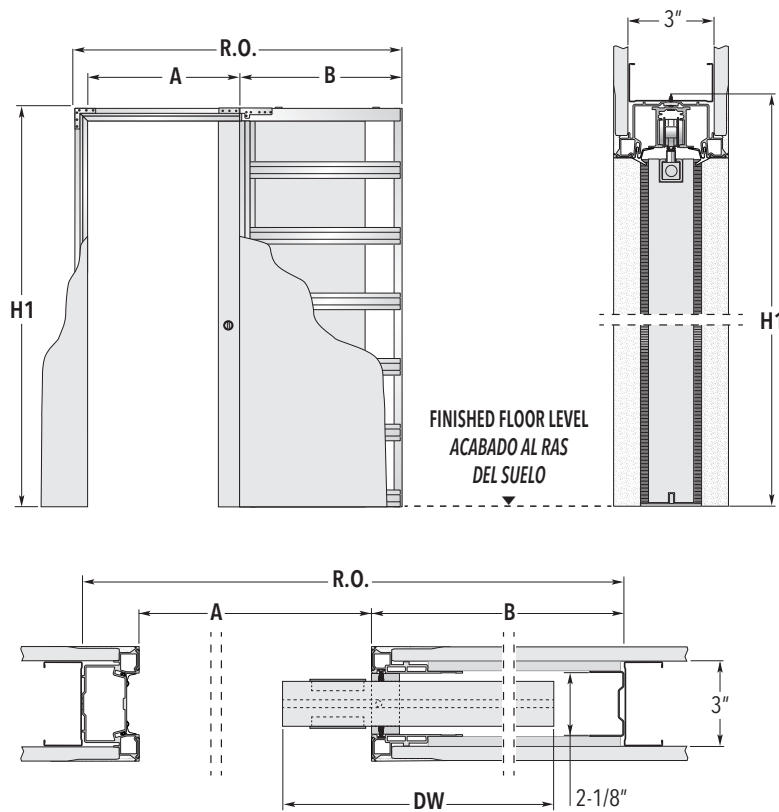


ECLISSE SYNTESIS® SLIDE SINGLE

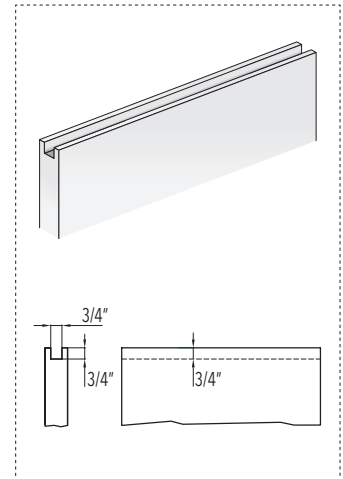
DIMENSIONS | MEDIDA



Warning | Advertencias

The door panel for ECLISSE SYNTESIS® SLIDE must be milled along the upper and lower profiles, as shown in the drawings (milling not required on glass doors).

Los paneles puerta alojados en el modelo ECLISSE SYNTESIS® CORREDERO deben estar fresados como indica el dibujo en la parte superior (excepto las puertas de cristal).



R.O. Height is determined from Intended Finished Floor Level NOT the subfloor level.

R.O. se determina a partir del nivel previsto del suelo terminado NO del nivel del contra suelo.

DOOR PANEL PANEL PUERTA		SYSTEMS FOR SINGLE DOOR SISTEMAS PARA UNA PUERTA	
DW	DH	Overall Dimensions Medida Total	
		R.O. x H1 (ROUGH OPENING)	
24"	80" / 84" / 96"	54-1/2" x 82-3/4" / 86-3/4" / 98-5/8"	A: 23" B: 29-1/2"
28"	80" / 84" / 96"	62-1/8" x 82-3/4" / 86-3/4" / 98-5/8"	A: 26-5/8" B: 33-1/2"
30"	80" / 84" / 96"	68-3/8" x 82-3/4" / 86-3/4" / 98-5/8"	A: 29" B: 37-3/8"
32"	80" / 84" / 96"	69-7/8" x 82-3/4" / 86-3/4" / 98-5/8"	A: 30-1/2" B: 37-3/8"
36"	80" / 84" / 96"	78-3/8" x 82-3/4" / 86-3/4" / 98-5/8"	A: 35" B: 41-3/8"
42"	80" / 84" / 96"	92-3/8" x 82-3/4" / 86-3/4" / 98-5/8"	A: 41-1/8" B: 49-1/4"

Dimensions are given in in. | Medidas expresadas en in.

NOTE

- ▶ The frame should be installed at intended finished floor level. The pocket frames by ECLISSE can host any panel standard Book door on the market.
- ▶ Maximum door dimension: DW=48" DH=120"
- ▶ Max door thickness 1-3/4"
- ▶ Max door weight 220 lbs. (330 lbs. on request)

NOTAS

- ▶ El contramarco debe ser instalado al correcto acabado al ras del suelo. El contramarco ECLISSE puede alojar cualquier panel puerta estándar del mercado.
- ▶ Dimension máxima disponible panel puerta: DW=48" DH=120"
- ▶ Espesor máximo del panel puerta 1-3/4"
- ▶ Peso máximo del panel puerta 220 lbs. (330 lbs. bajo pedido)

ACCESSORIES | ACCESORIOS

- ▶ ECLISSE BIAS®
- ▶ ECLISSE BIAS® DS
- ▶ Anti-Warp Profile